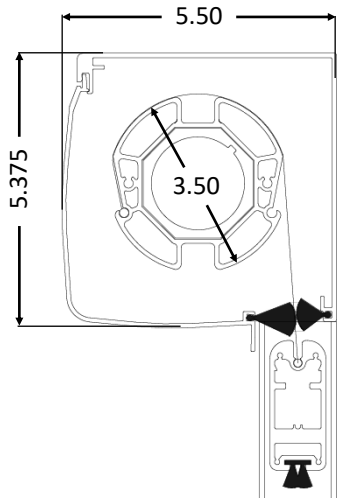


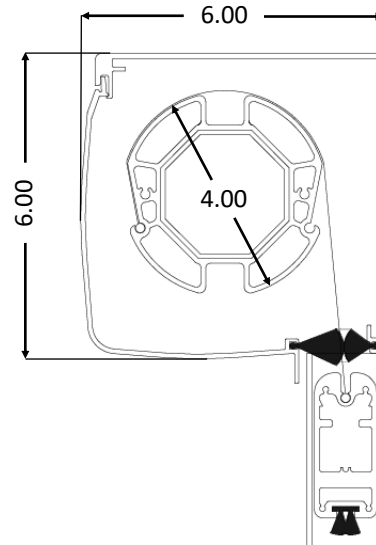
Series 5

192" Width x 120" Height



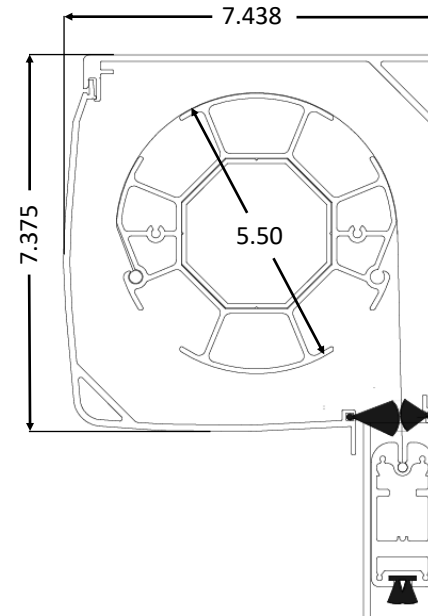
Series 6

240" Width x 144" Height

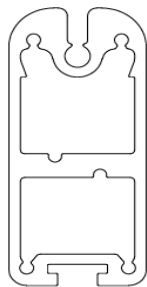


Series 7

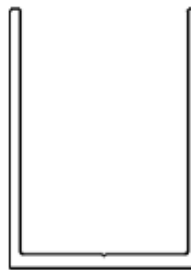
300" Width x 192" Height



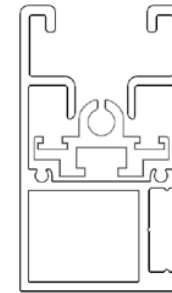
Heavy Duty
Bottom Bar



Double Weight
Bottom Bar



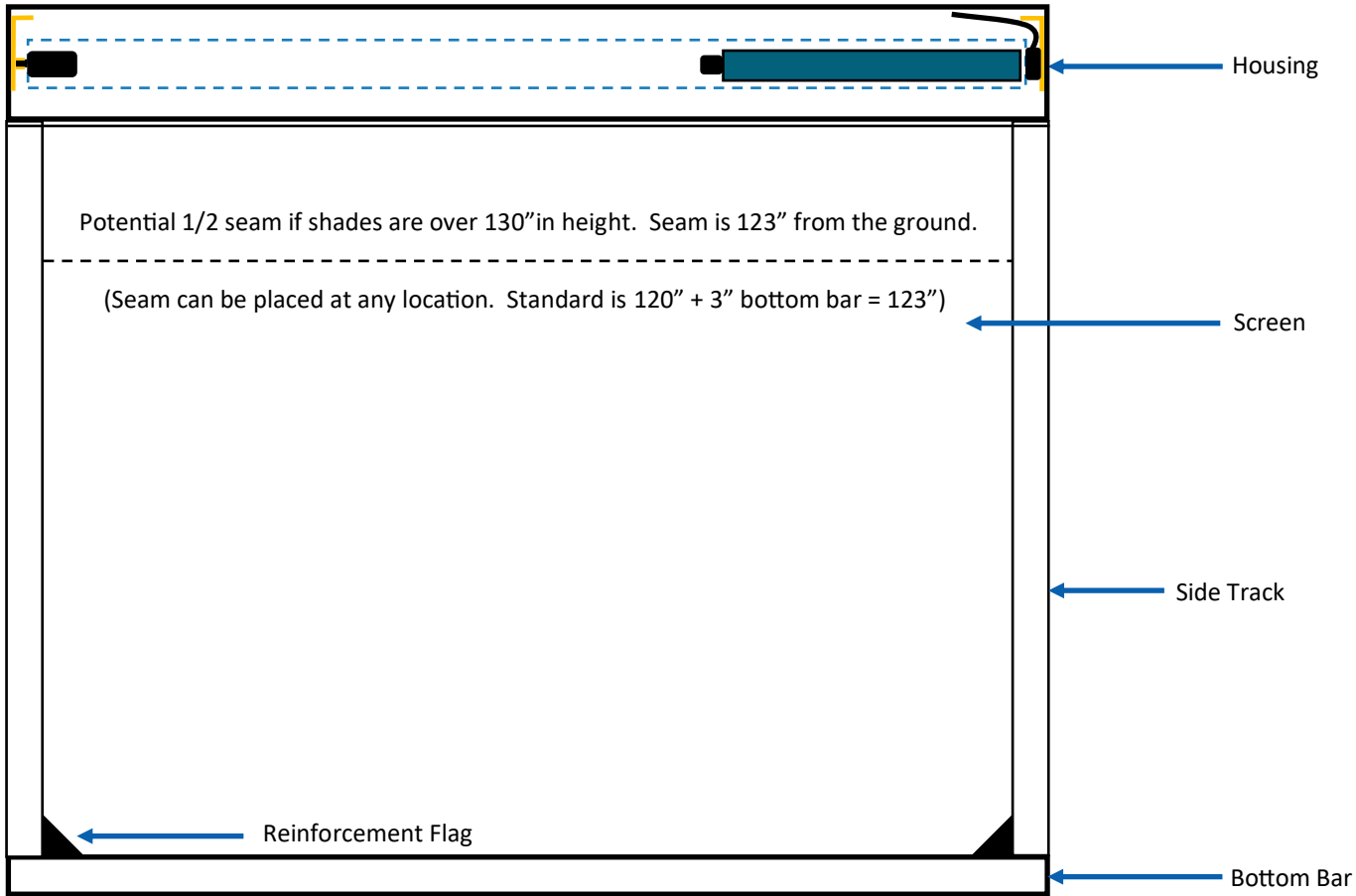
U Channel
(Inside Mount
Applications)



Main Track w/
Keder Insert

Product Features

- Keder retention track system is the strongest on the market.
- All aluminum track insert—no wearing parts.
- Shades were wind tested up to 110 mph.
- Flexible inner track for proper shade deployment.
- Heavy duty weight bar plus a double weight bar for smaller shades.
- 1 1/2" bottom bar brush.
- Reinforced fabric flag corner for additional strength.
- 3 Housing sizes for shades from 3 ft up to 25 ft in width and up to 16 ft in height.
- Hood and housing brush for self cleaning.
- 8 standard stock colors.
- Stylish hood to match any décor.
- Able to handle sloping patios
- Specializing in clear vinyl windows.



Notes:

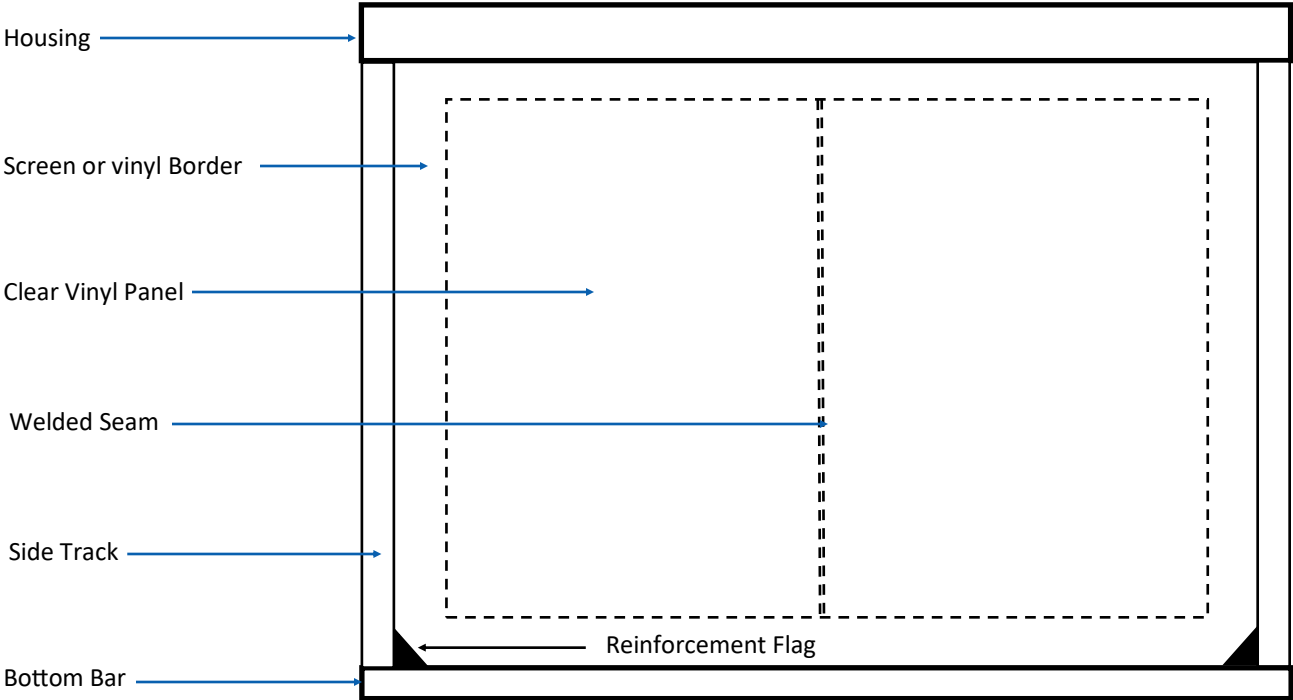
Series 5 – 192" Max Width 120" Max Height
 Series 6 – 240" Max Width 144" Max Height
 Series 7 – 300" Max Width 192" Max Height

Housing endcaps must be secured properly as they are the load bearing point of the system. On longer units, it is recommended to secure the housing to avoid any rattling noises. When securing the housing, **NEVER PLACE FASTENERS IN THE MIDDLE OF THE HOUSING. (TOP OR BACK)**



Insect or Solar Configuration

Vertical Configuration



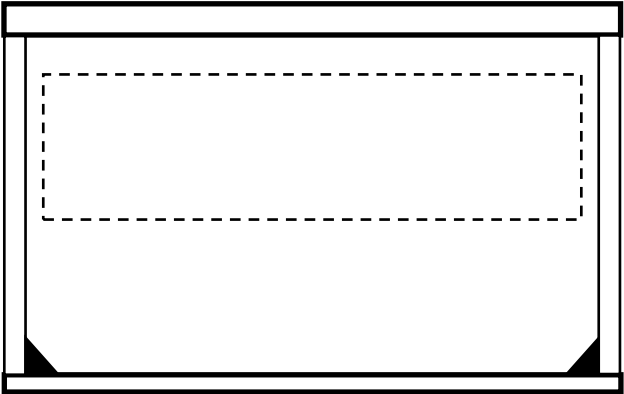
Notes:

Clear Vinyl Panels are 54x110
 Minimum border size is 6"
 Any screen or vinyl can be used as a border

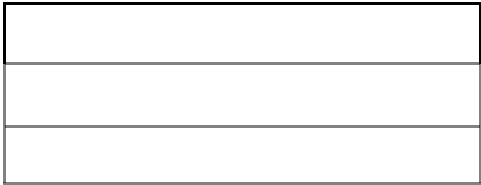
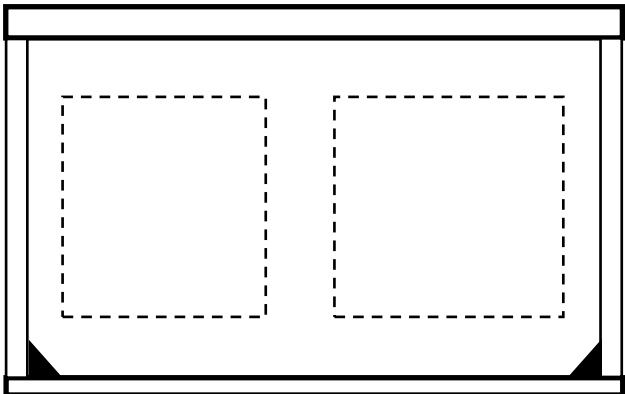
- Series 5 – 192" Max Width 120" Max Height
- Series 6 – 216" Max Width 132" Max Height
- Series 7 – 276" Max Width 180" Max Height

Housing endcaps must be secured properly as they are the load bearing point of the system. On longer units, it is recommended to secure the housing to avoid any rattling noises. When securing the housing, **NEVER PLACE FASTENERS IN THE MIDDLE OF THE HOUSING. (TOP OR BACK)**

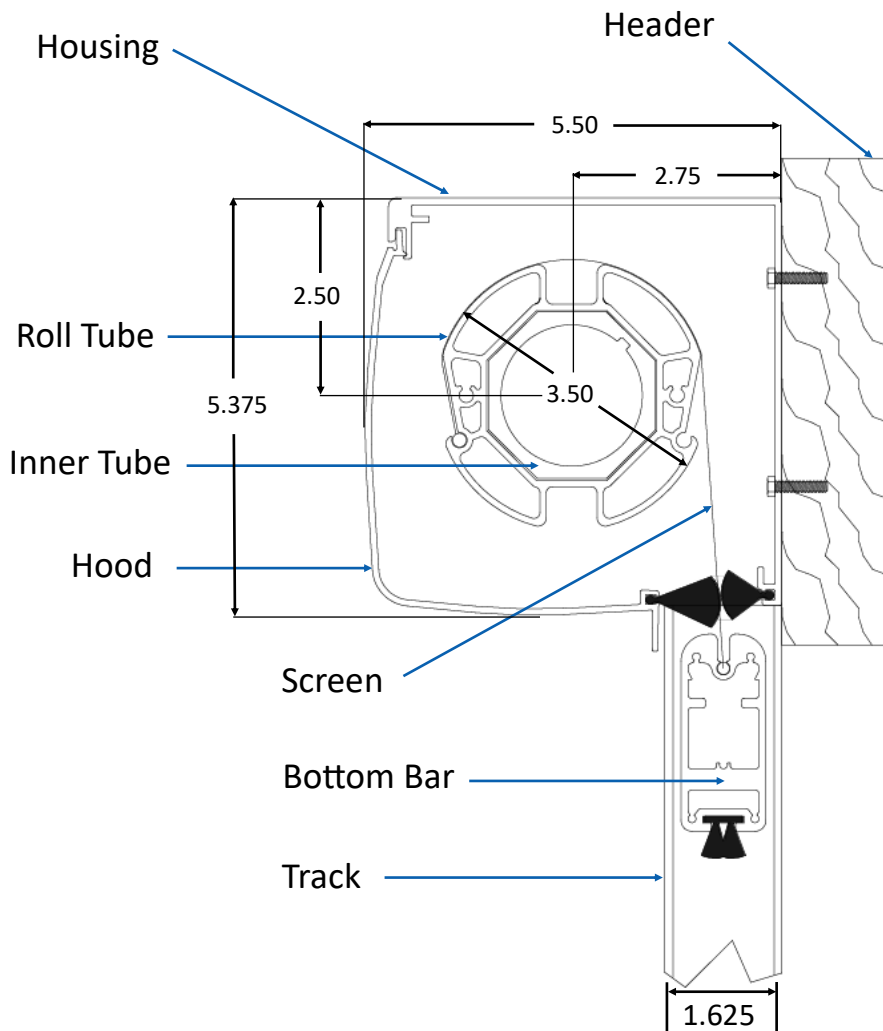
Horizontal Configuration



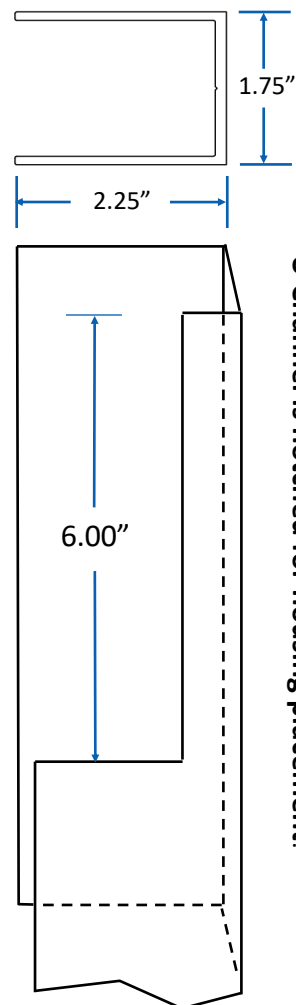
Vertical or Horizontal Configuration



Clear Vinyl Window Configurations



**U-Channel for
Inside Mount Only**



Notes:

Series 5 – 192" Max Width 120" Max Height

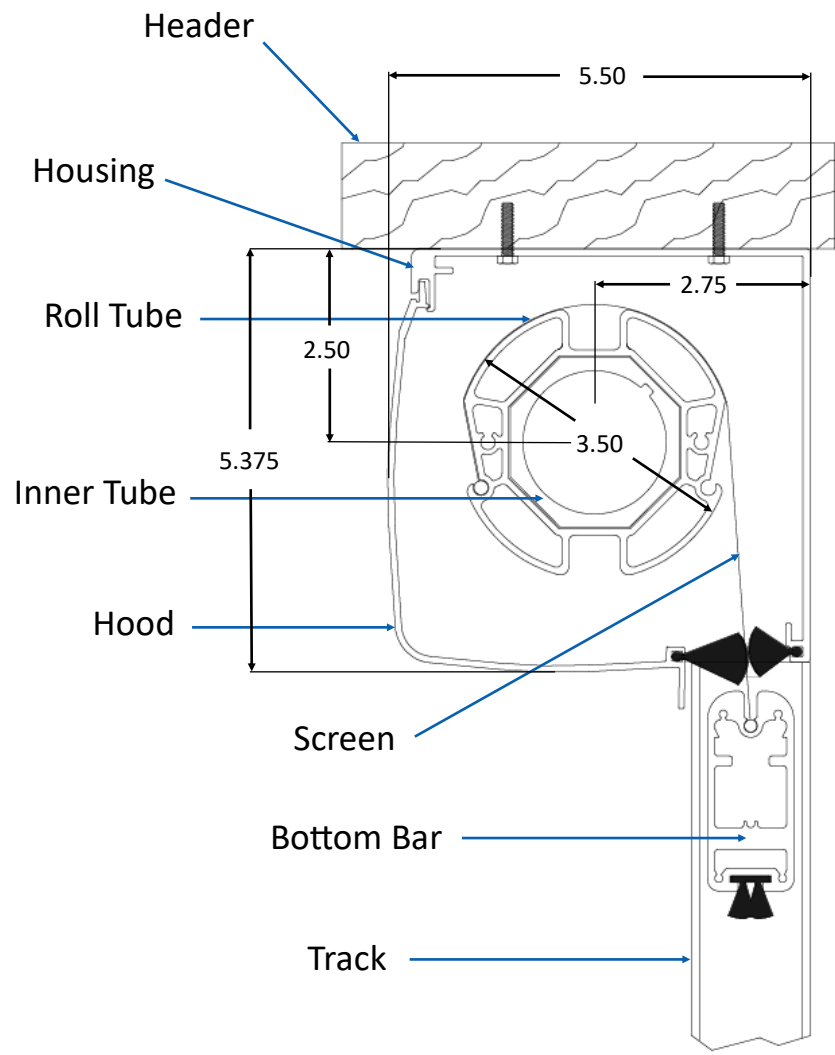
Housing endcaps must be secured properly as they are the load bearing point of the system. On longer units, it is recommended to secure the housing to avoid any rattling noises. When securing the housing, **NEVER PLACE FASTENERS IN THE MIDDLE OF THE HOUSING. (TOP OR BACK)**

U-Channel—Inside mount

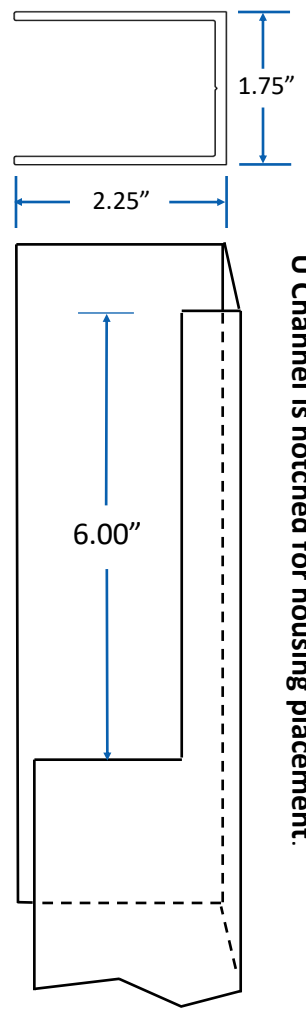
- Each U channel is notched at the factory. The notch is for the housing to sit inside.
- It goes from the bottom of the shade to the top of the housing.
- It allows for uneven surfaces between columns or walls
- Factory deduction is 1 1/4" from inside mount measurements. The U-Channel hides the gap between the housing and wall or column.



Series 5 Housing - Face Mount (FM)



**U-Channel for
Inside Mount Only**



Notes:

Series 5 – 192" Max Width 120" Max Height

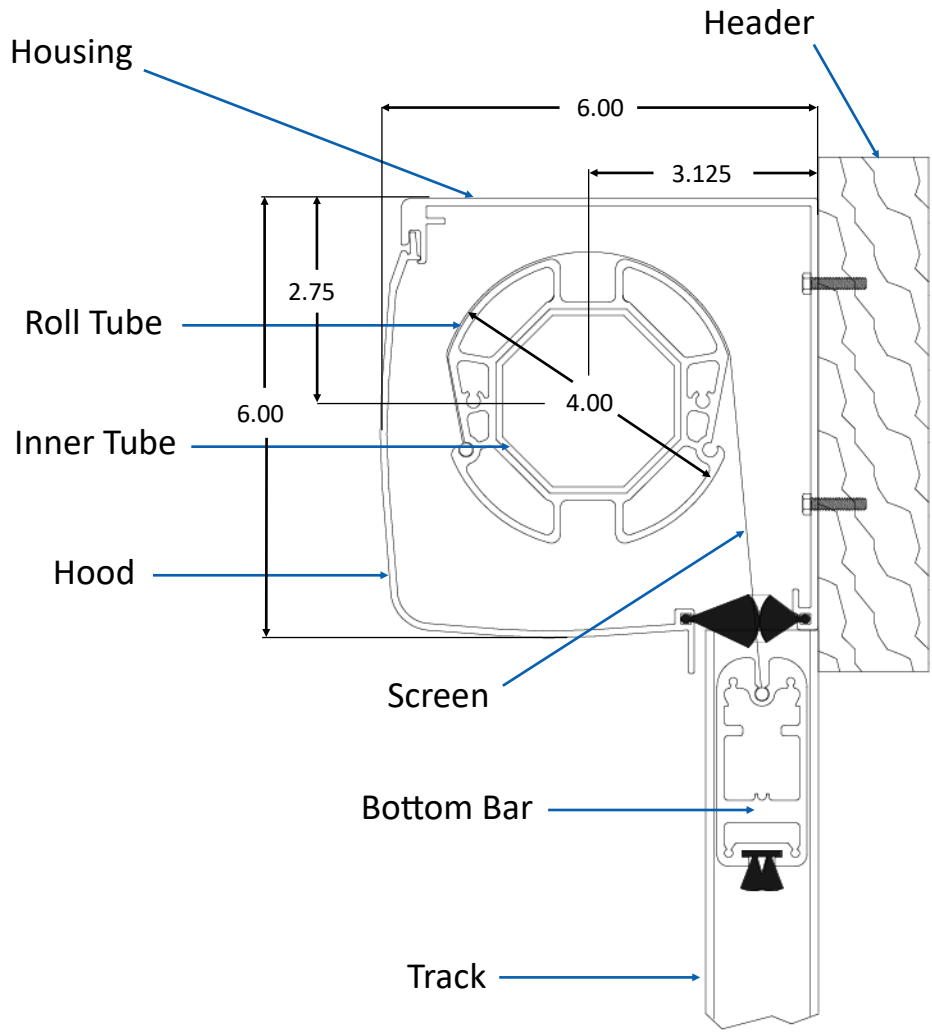
Housing endcaps must be secured properly as they are the load bearing point of the system. On longer units, it is recommended to secure the housing to avoid any rattling noises. When securing the housing, **NEVER PLACE FASTENERS IN THE MIDDLE OF THE HOUSING. (TOP OR BACK)**

U-Channel—Inside mount

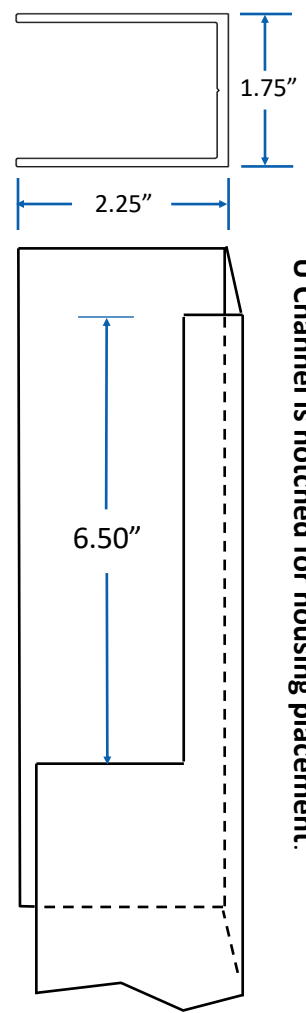
- Each U channel is notched at the factory. The notch is for the housing to sit inside.
- It goes from the bottom of the shade to the top of the housing.
- It allows for uneven surfaces between columns or walls
- Factory deduction is 1 1/4" from inside mount measurements. The U-Channel hides the gap between the housing and wall or column.



Series 5 Housing - Top Mount (TM)



U-Channel for Inside Mount Only



U Channel is notched for housing placement.

Notes:

Series 6 – 240" Max Width 144" Max Height

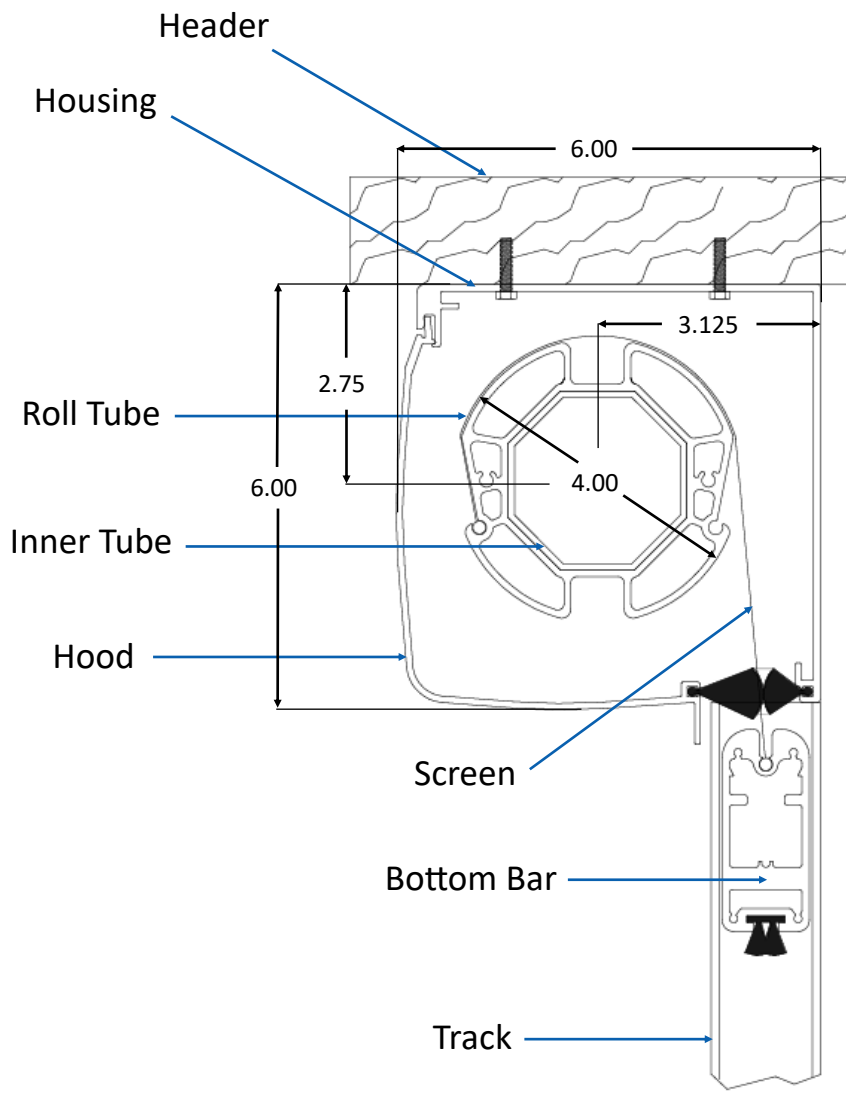
Housing endcaps must be secured properly as they are the load bearing point of the system. On longer units, it is recommended to secure the housing to avoid any rattling noises. When securing the housing, **NEVER PLACE FASTENERS IN THE MIDDLE OF THE HOUSING. (TOP OR BACK)**

U-Channel—Inside mount

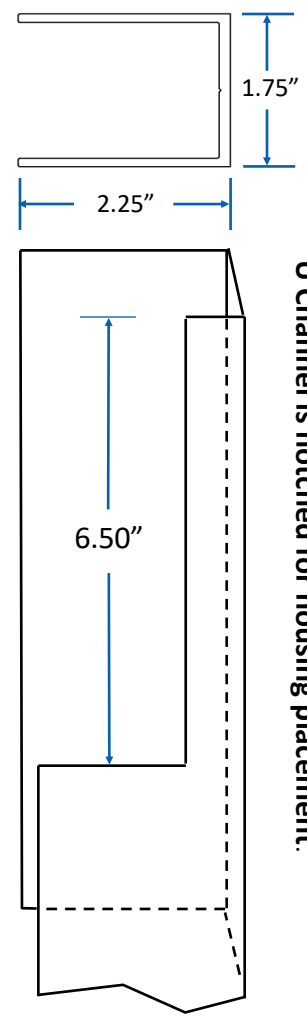
- Each U channel is notched at the factory. The notch is for the housing to sit inside.
- It goes from the bottom of the shade to the top of the housing.
- It allows for uneven surfaces between columns or walls
- Factory deduction is 1 1/4" from inside mount measurements. The U-Channel hides the gap between the housing and wall or column.



Series 6 Housing - Face Mount (FM)



**U-Channel for
Inside Mount Only**



U Channel is notched for housing placement.

Notes:

Series 6 – 240" Max Width 144" Max Height

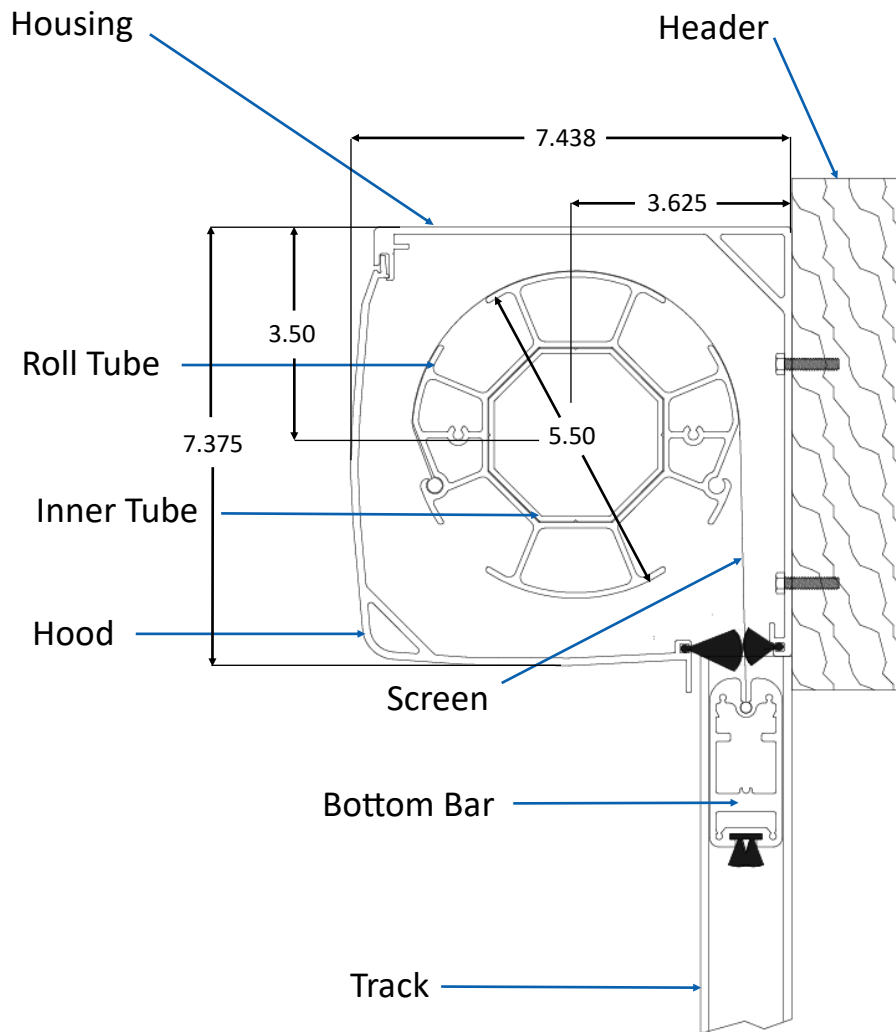
Housing endcaps must be secured properly as they are the load bearing point of the system. On longer units, it is recommended to secure the housing to avoid any rattling noises. When securing the housing, **NEVER PLACE FASTENERS IN THE MIDDLE OF THE HOUSING. (TOP OR BACK)**

U-Channel—Inside mount

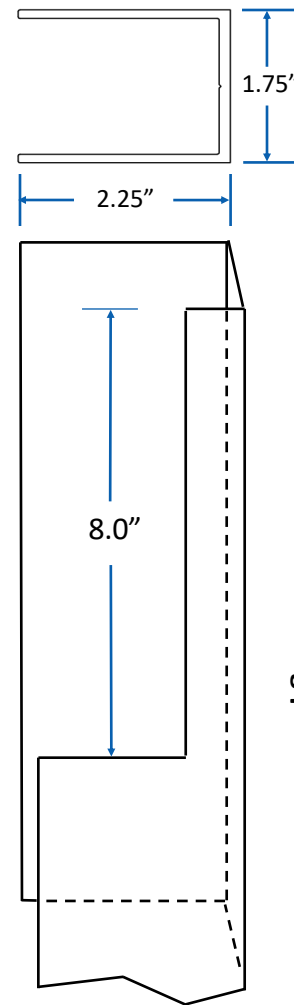
- Each U channel is notched at the factory. The notch is for the housing to sit inside.
- It goes from the bottom of the shade to the top of the housing.
- It allows for uneven surfaces between columns or walls
- Factory deduction is 1 1/4" from inside mount measurements. The U-Channel hides the gap between the housing and wall or column.



Series 6 Housing - Top Mount (TM)



U-Channel for Inside Mount Only



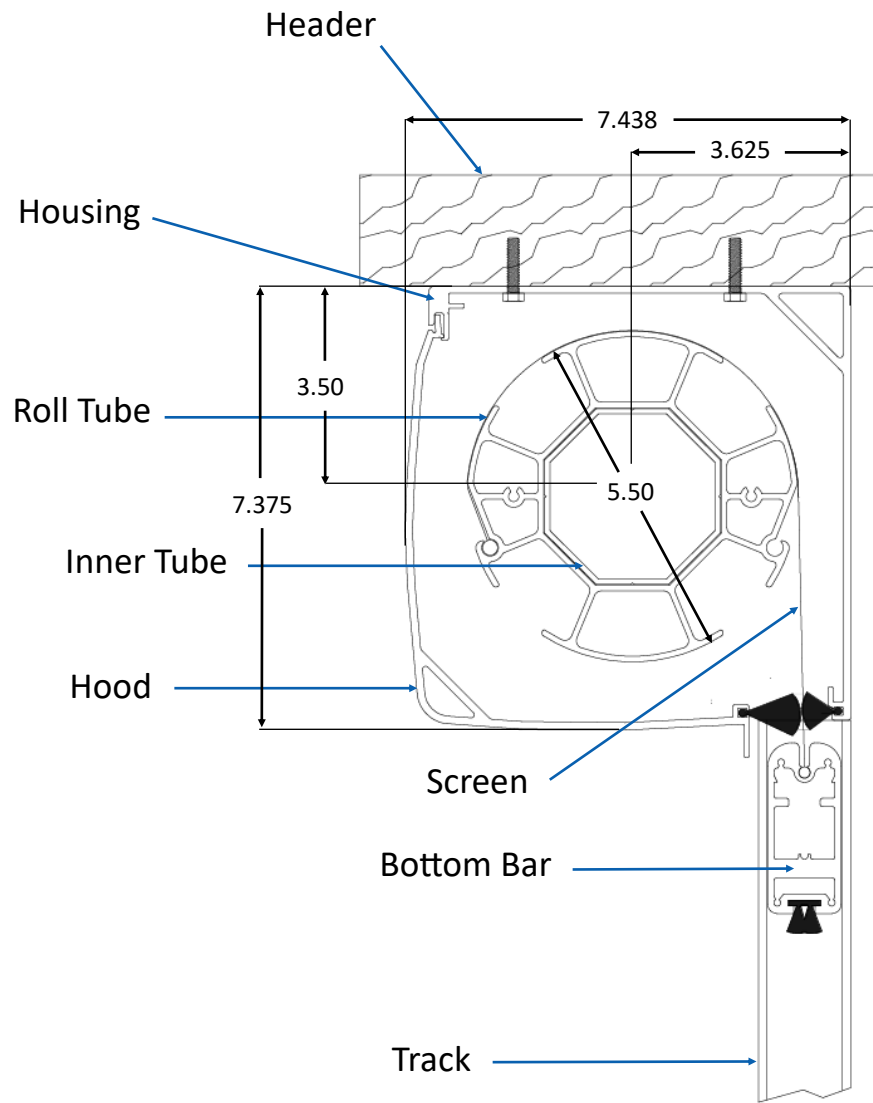
Notes:

Series 7 – 300" Max Width 192" Max Height

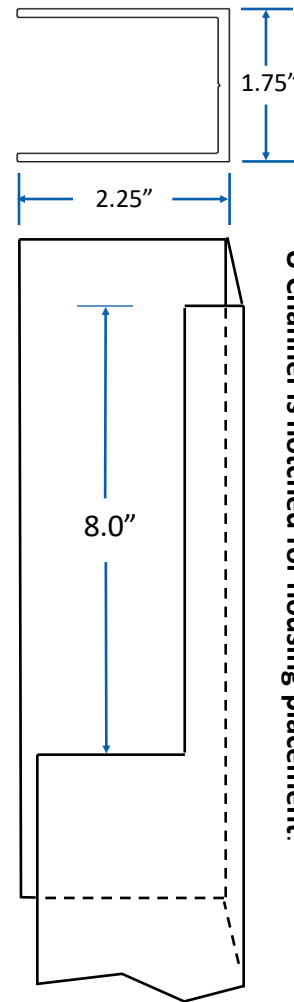
Housing endcaps must be secured properly as they are the load bearing point of the system. On longer units, it is recommended to secure the housing to avoid any rattling noises. When securing the housing, **NEVER PLACE FASTENERS IN THE MIDDLE OF THE HOUSING. (TOP OR BACK)**

U-Channel—Inside mount

- Each U channel is notched at the factory. The notch is for the housing to sit inside.
- It goes from the bottom of the shade to the top of the housing.
- It allows for uneven surfaces between columns or walls
- Factory deduction is 1 1/4" from inside mount measurements. The U-Channel hides the gap between the housing and wall or column.



U-Channel for Inside Mount Only



Notes:

Series 7 – 300" Max Width 192" Max Height

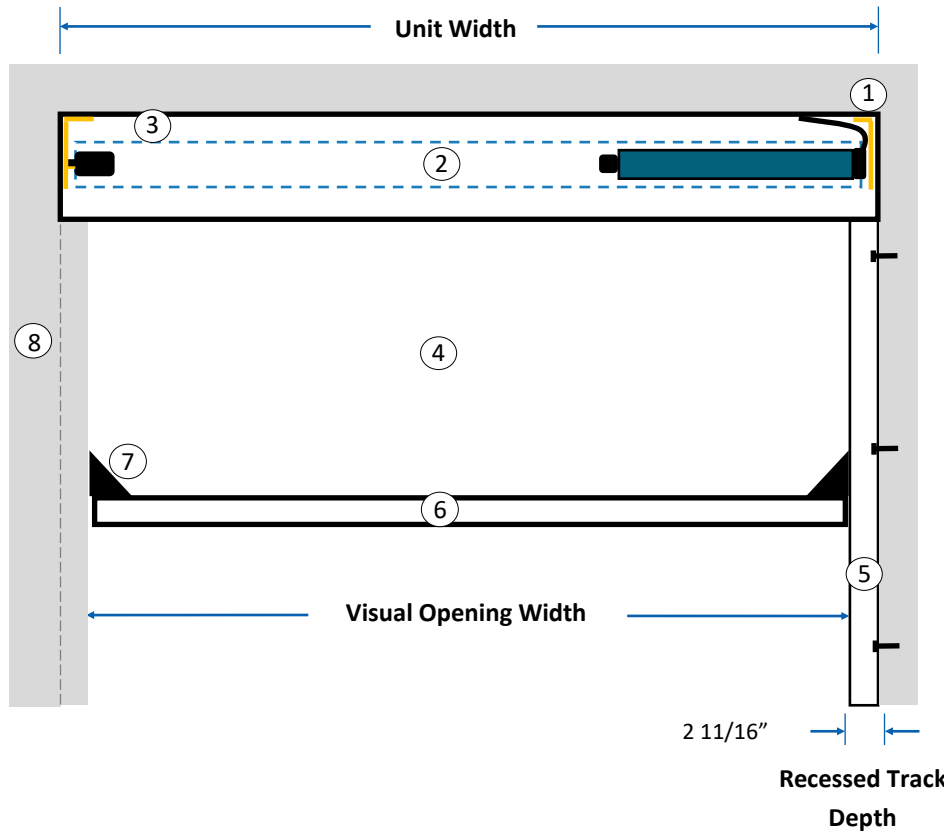
Housing endcaps must be secured properly as they are the load bearing point of the system. On longer units, it is recommended to secure the housing to avoid any rattling noises. When securing the housing, **NEVER PLACE FASTENERS IN THE MIDDLE OF THE HOUSING. (TOP OR BACK)**

U-Channel—Inside mount

- Each U channel is notched at the factory. The notch is for the housing to sit inside.
- It goes from the bottom of the shade to the top of the housing.
- It allows for uneven surfaces between columns or walls
- Factory deduction is 1 1/4" from inside mount measurements. The U-Channel hides the gap between the housing and wall or column.

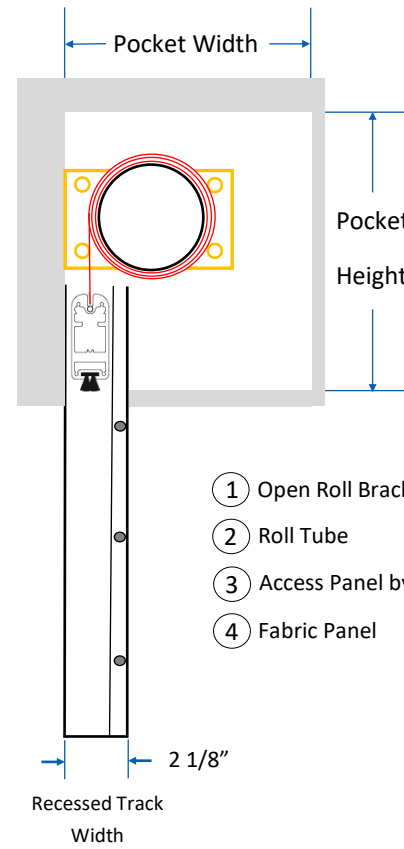
Front View

Unit Width = Visual Opening Width + Recessed Track Depth x 2 (5.375)



Side View and

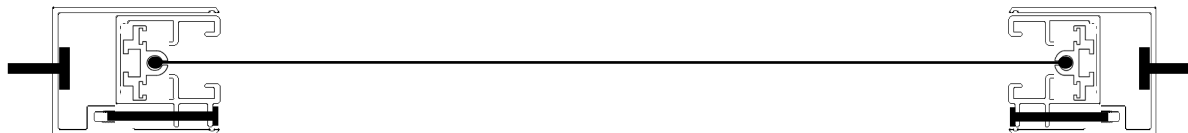
Pocket Detail



	Pocket Size	Width x Height
Series 5 (192" x 120")	7" x 10.5"	
Series 6 (240" x 144")	8" x 11.5"	
Series 7 (300" x 192")	10" x 12.5"	

- ① Open Roll Bracket
- ② Roll Tube
- ③ Access Panel by Others
- ④ Fabric Panel
- ⑤ Recessed Track
- ⑥ Bottom Bar
- ⑦ Gusset Flag
- ⑧ Column by Others

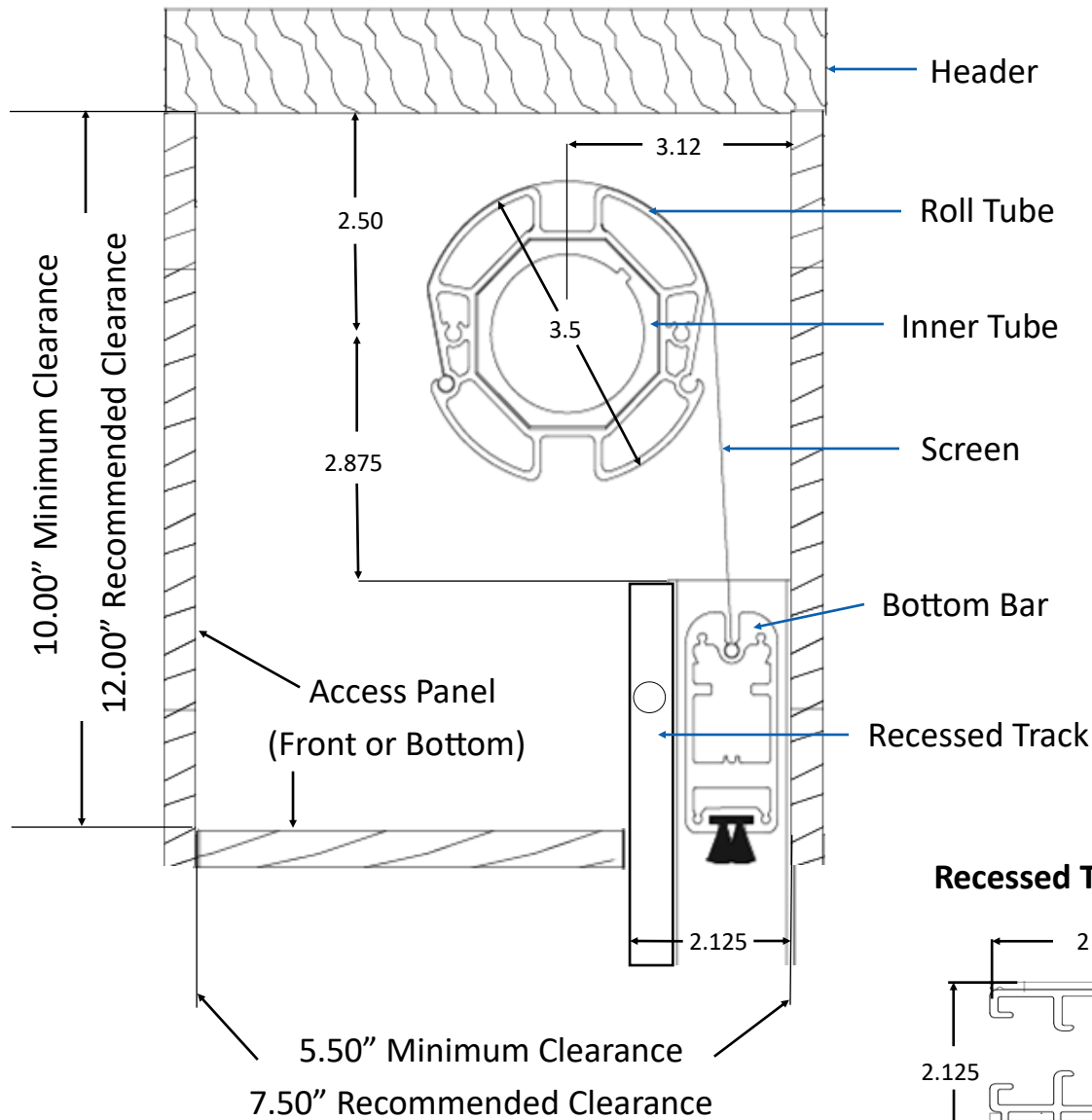
Side Track Detail





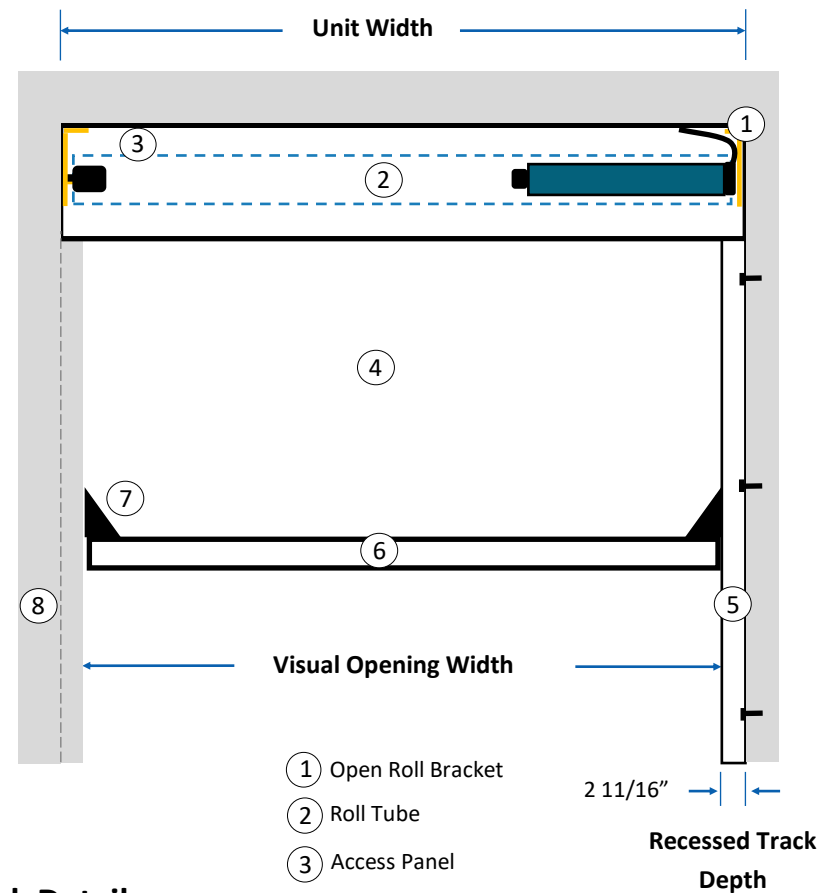
Recessed Track Detail

Side View and Pocket Detail



Front View

Unit Width = Visual Opening Width + Recessed Track Depth x 2 (5.375)



- ① Open Roll Bracket
- ② Roll Tube
- ③ Access Panel
- ④ Fabric Panel
- ⑤ Recessed Track
- ⑥ Bottom Bar
- ⑦ Gusset Flag
- ⑧ Column by Others

Recessed Track Detail

